

## *The Slurry Valve Specialists !*

### Icon O-Port Valve

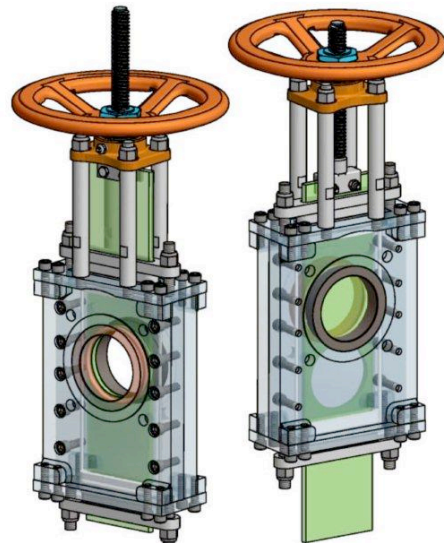
The Icon O-Port Valve sometimes called a slide gate or through-port valve provides the user with a reliable, trouble free, long life valve that can handle the most arduous service conditions.

*This is not a Knife-Gate Valve which is often uni-directional and relies on upstream pressure to deform the seat to ensure a seal. In the open position, the Knife Gate design permits media to build-up and solidify around the gate which in turn prevents the valve from being operated.*

The innovative design of the Icon O-Port Valve is such that the gate is located between guides that handle the internal forces within the valve. This means that the seals within the valve are not squeezed or deformed at any time (unlike a knife-gate valve) and it results in a bi-directional valve. The Icon O-Port Valve provides bubble tight shut-off and can be used as either a Blind on a live pipeline or as a "flat ball valve".

#### Features and Benefits

- Ideal for all slurries, liquids, gases and dry powders.
- Anti-Scale option available.
- Cavity Free – No material gets trapped in the valve.
- Class VI shut-off – does not depend on pressure differential.
- Bi-directional flow – can be installed in horizontal or vertical plane.
- Full bore straight through valve body.
- Applications include shut-off, flow control and line blind.
- Maintenance Free. No lubrication required
- "Face to Face" tailored to suit your existing Butterfly Valve or Ball Valve.
- Handles aggressive flow media and pressure shock waves.
- Valve seats are protected at all times
- Proper actuation of the valve is guaranteed



#### Design Characteristics

- Manufactured to tight tolerances providing many years of trouble free service.
- No metal-to-metal contact. Blade moves in PTFE guides.
- The spring-loaded seats in the valve are protected and away from the flow area.
- Bubble tight shut-off, independent of the upstream / downstream pressure differential
- High Temperature Valves available
- Slurry packing ensures long-life leak free operation.
- Locking mechanism in open and/or closed position for greater safety.
- Available in Carbon Steel, SS 304, 316, 317, Hastelloy, Titanium, Zirconium, Duplex SS etc.
- Manually operated as well as pneumatic, electric or hydraulic actuators.
- Round Port, V-Port and Square Port Valves are available.